

termoplusP

STOVE-BOILER FOR SOLID FUELS

Directions for use and assembling



Customer service:

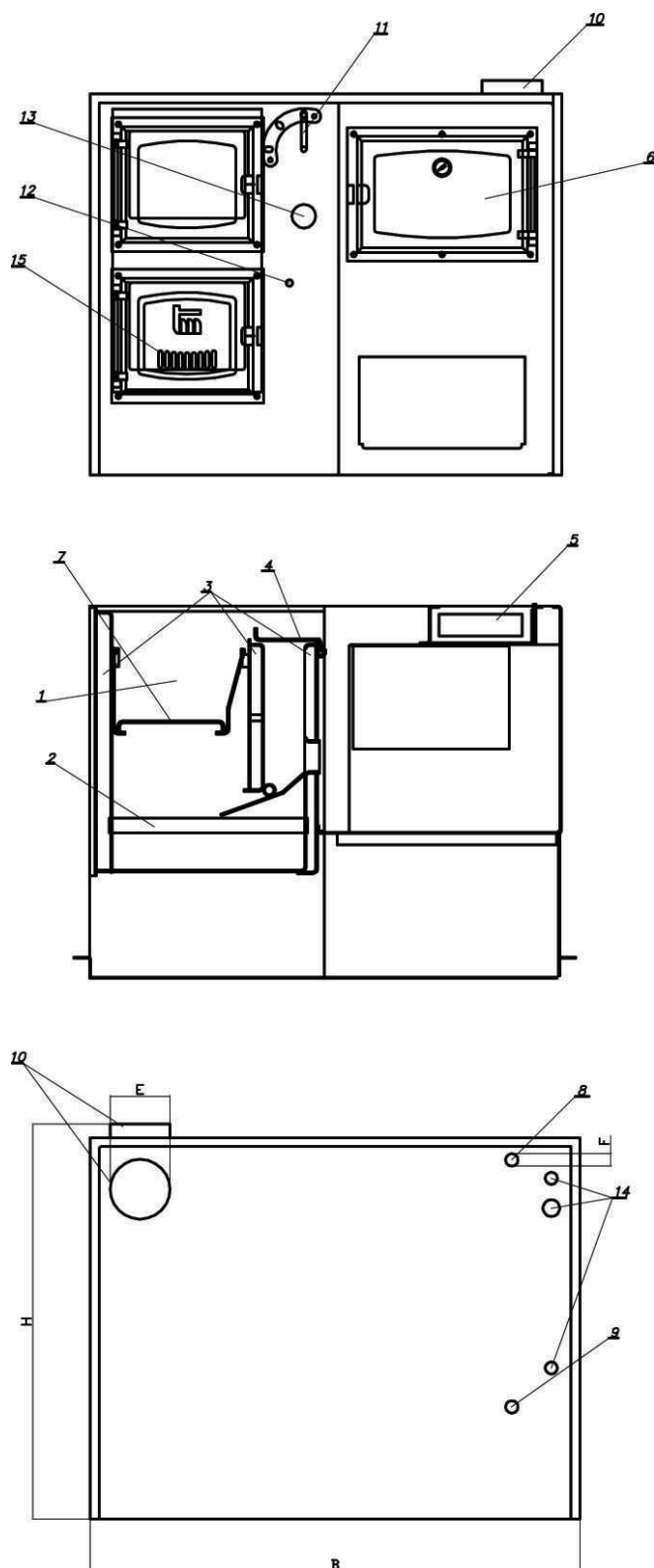
Termomont d.o.o. Prhovačka bb 22310 Šimanovci
tel. 022 80404, 022 80494 fax 022 80494 www.termomont.rs

20. april 2010

Sadržaj

1	Technical data	2
1.1	Boiler properties TEMY PLUS P 25	3
1.2	On Product	3
1.3	Boiler shipment and storage	4
1.4	Delivery	4
2	Boiler installation	4
2.1	Fitting the boiler to a closed central heating system	4
2.1.1	Installation method 1	4
2.1.2	Installation method 2	6
2.2	Fitting the boiler to an open central heating system.	6
2.3	Filling up the boiler and installation with water	7
3	Boiler operation	7
4	Chimney	8
5	Modes of Operation	9
6	Overheat protection using the thermostatic valve (closed system)	10
7	Boiler cleaning and maintenance	11
A	Declaration Of Conformity	12

1 Technical data



Boiler part description: 1. Heating chamber 2. Water cooled grid 3. Hot water 4. Flap 5. Flue flap 6. Oven 7. Upper grid (placing it up and down enables/disables the summer mode) 8. Flow line 9. Return line 10. Flue 11. Mode of operation (summer/winter/combined) 12. Automatic draught regulator 13. Temperature and pressure meter 14. Mountaing place for thermal safety device 15. Secondary air inlet

1.1 Boiler properties TEMY PLUS P 25

1. Overall nominal power (kW)	23
2. Necessary draught (Pa)	12
3. Water content (l)	48
4. Max working temperature	90 °C
5. Max working pressure	3 bar
6. Weight	235 kg
7. Flue diameter	148 mm
8. Width	1130
9. Height	855
10. Depth	670
11. Dimensions of the oven	350x230x405 mm
12. Upper and lower door	258x196 mm
13. Flow	1"
14. Return	1"

1.2 On Product

TEMY PLUS P is a steel hot-water stove-boiler for central heating with cooking or baking in the same time, produced according to EN 12815. It is very easy to use and maintain.

Boiler chamber is entirely made of steel, while the front parts and the oven are made of stainless steel AISI 314 for maximum hygienic conditions for food preparation. The door frames are made of cast-iron. The upper door and the oven door are made of fireproof glass, while the lower door is made of steel.

The flue opening is placed both on the upper side and on the back side of the boiler, so the customer can chose which one to use and which one to close. It is thus very easy to place the stove at the desired position in the kitchen and to align it with other household appliances.

Hot-water volume inside the boiler equals 48 l - the fact which guarantees functionality of the product as a central heating boiler. It has no insulation coating around, so that the heat radiation is spreaded toward the ambience directly (around 1 kW). The heat radiation toward oven and cooking plates is 2 and 3 kW respectively. 17 kW is given to the central heating system.

TEMY PLUS P has the embedded automatic draught regulator (Rathgeber, made in Germany) provided:



Boiler can work only as a stove with oven during the summer time (the grid to be set up on higher position inside the chamber, which is done easily and within a few minutes). An embedded heat exchanger for thermal safety valve connection is provided (for devices such as Caleffi, Danfoss BVTS or Watts).

1.3 Boiler shipment and storage

The boiler must always stand in its vertical position. The rotation of the boiler during the shipment or installation represents a serious risk and can lead to damaging the boiler. It is forbidden to place one boiler onto another. The boiler can be stored only in closed rooms with no atmospheric influence. The humidity in the storing room also must not exceed the critical value of 80%, so as not to create any condensate. The temperature of the storing room must be in the range of ± 40 °C.

When unpacking the boiler, you must check whether the paint on the boiler coating has been scratched somewhere and whether all parts of the boiler stand in their proper position.

1.4 Delivery

Boiler is delivered with the housing premounted on the boiler body. Together with the boiler, also the following parts are supplied:

- Boiler thermo-manometer
- Cleaning kit
- Boiler guarantee and certificate

2 Boiler installation

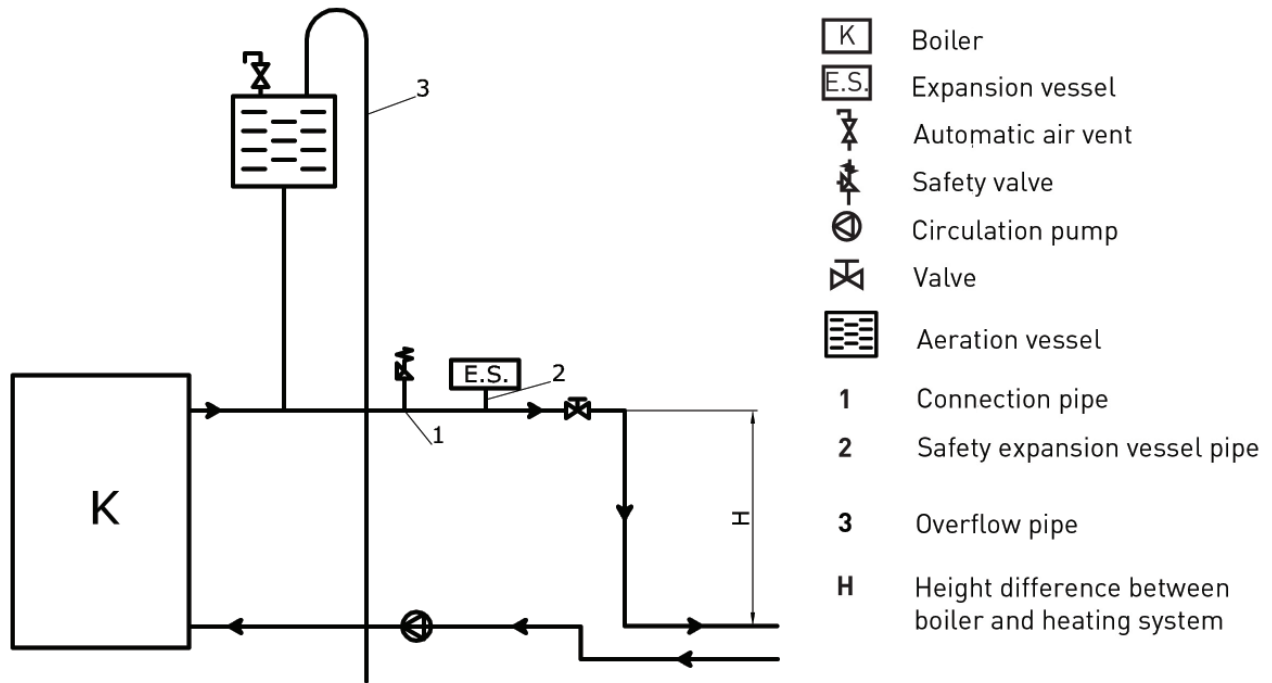
2.1 Fitting the boiler to a closed central heating system

Depending on the position of the boiler in relation to the pipe-work and the radiators – the installation can be carried out using one of two methods.

2.1.1 Installation method 1

If the boiler is positioned on the same level or higher than the pipe-work and radiators. Each of the following items of equipment shall be fitted along the flow line:

1. Aeration vessel.
2. Safety valve (spring valve is recommended).
3. Expansion vessel.
4. Boiler valve.



Aeration vessel to be fitted at highest point of the system at top of boiler outlet. This should include an overflow system with valve to discharge air from the boiler to prevent overheating.

A float operated valve allows water into a cistern fitted with an overflow pipe. When the system is filling, the valve remains open. When the system is full the valve closes.

Temperature of hot water within a storage system. Irrespective of the type of fuel used for heating, the temperature of the water at any point within a hot water storage system should not exceed 100 °C and appropriate vent pipes, temperature control devices and other safety devices should be provided to prevent this occurring.

Safety Pressure Valve (PSV). The safety pressure valve must always be positioned and mounted close to the boiler. It must be easily identifiable and allow for easy access. The safety pressure valve must be set to a nominal pressure of 2.5 bar. The valve must open and operate smoothly at 2.5 bar. Diameter for the aperture at the seat of the valve must be at least 15mm. Connecting pipe-work to the boiler must be as short as possible. Welds, joints or any possible blockage to this pipe-work must be prevented.

Bends in the pipe-work should be avoided if possible. Unavoidable bends should be at diameter $r > 3D$ (D = radius of curvature) and less than $\alpha > 90$ ° C.

Closed expansion vessel. The closed expansion vessel shall be fitted close to the boiler. Connecting pipe-work should be as short as possible. Fit the expansion vessel in horizontal alignment to the pipe to ensure equal distribution of pressure. The volume of the expansion vessel is determined by the output/capacity of the boiler. A ratio of 1 kW:1 litre should be used.

The safety pressure valve and the expansion vessel should be fitted in close proximity to each other, in the following order: expansion vessel closest to the boiler, followed by the safety pressure valve.

It is also recommended to mount a dirt remover on the RETURN line. In the event of power failure and the boiler fails to operate correctly – any sudden increase of pressure will be controlled first by the expansion vessel, on any further increase in pressure the safety pressure valve will open.

Great care must be taken to ensure air does not enter the boiler.

2.1.2 Installation method 2

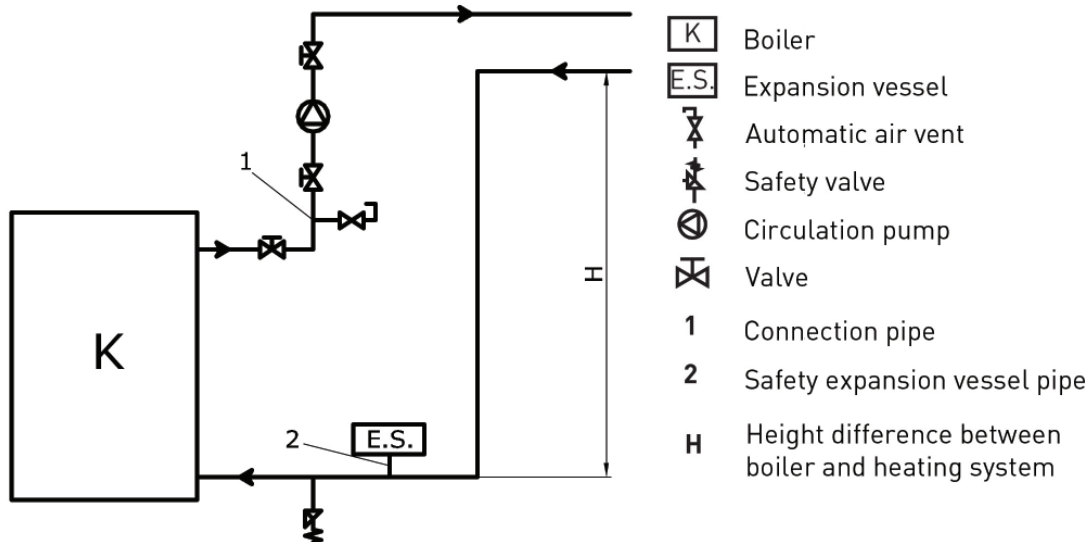
To be used in the case of the boiler being positioned and installed at a lower level than the installed pipe-work and radiators.

As shown on Figure, following elements are connected along the FLOW:

1. Automatic air vent
2. Safety valve
3. Circulation pump (separated with ball valves on each side so that it can be easily replaced if necessary).

For safe operation info on additional equipment such as expansion vessel and safety valve please refer to manuals to be delivered with such products.

This air vent valve must be open when first filling the boiler on installation completion.



2.2 Fitting the boiler to an open central heating system.

The connecting scheme of an open central heating system is depicted on the figure.

Open expansion vessel is connected to the hot-water distribution pipes (FLOW and RETURN) as shown on Figure – with an additional OVERFLOW pipe output plus CIRCULATION pipe (to prevent freeze during winter months).

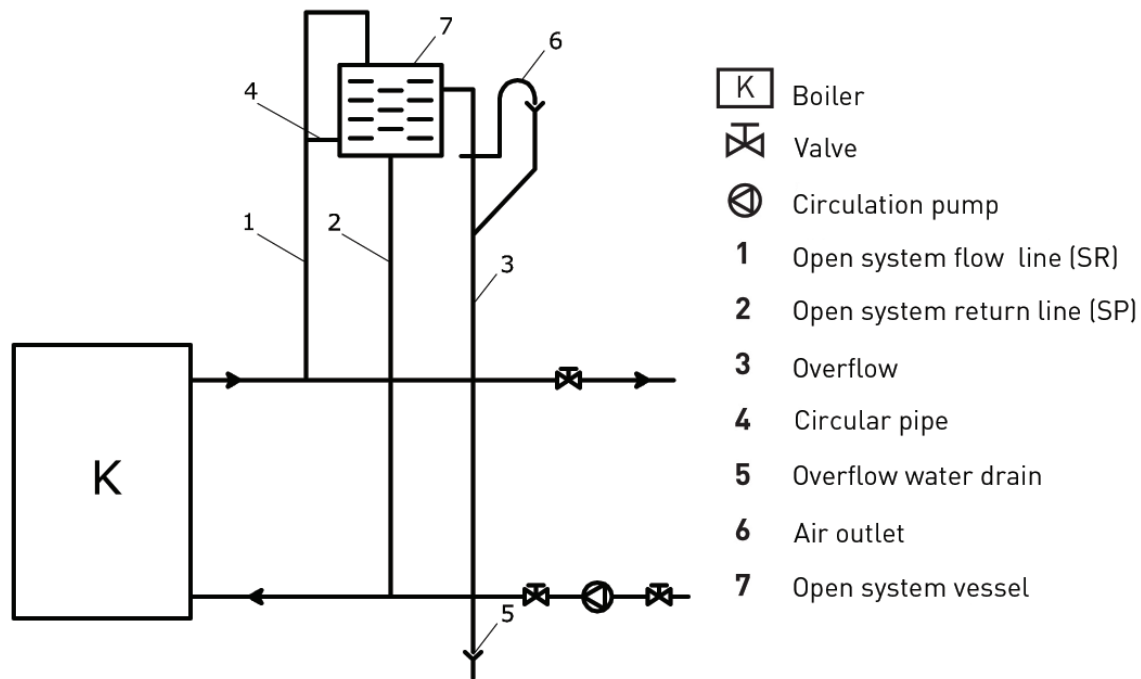
Please note that no additional items shall be connected to the open expansion vessel – especially not valves.

The size of expansion vessel is deducted from the following equation:

$$V = 0,07V_{water}(l)$$

$V_{water}(l)$ is the water volume in the entire installation.

Open expansion vessel is to be positioned vertically above the highest heating element.



2.3 Filling up the boiler and installation with water

Filling is done using the drain tap valve (to be found on the return line close to boiler). The filling process is done when no air is coming out through automatic air vent and pressure gauge is showing the value between 1,5 and 2,5 bar (closed systems). Air vent is to be set at the highest point of the (closed) central heating system. If the pressure is below 1,5 bar the filling process must be repeated.

For open systems, working pressure depends on the overall height of the system and the open expansion vessel (1 bar for each 10 m is an estimate).

After the filling process is done, it is obligatory to close the drain tap valve, close the water supply to the water-filling pipe and detach the water-filling pipe.

An expert should be entrusted with the mounting of the heating and the initial operation. This must be a person who will take over the responsibility and guarantee the correct operation of the boiler and of the complete central heating system. In the case of an incorrectly planned system with manifesting deficiencies caused by the respective person's incorrect installation of the system, which can again lead to an incorrect operation of the boiler, the complete liability for the material damage and potential new costs arising in relation to it is borne exclusively by the person who was entrusted with the mounting of the central heating system, and not by the boiler manufacturer, sales representative or seller.

3 Boiler operation

First putting into operation is performed exclusively by a skilled person. Before putting in operation please make sure that:

- boiler is connected on central heating installation properly
- there is no air in the central heating installation and pressure is within range
- proper working cycle for circulation pump is chosen.

Heating by solid fuel (manual operation) can be performed in two ways:

1. Heating from above – put coal (or wood) over the fireplace pipes (“grid”) (no ash should be present). The draught regulator is at the maximum position. Using a tiny piece of wood or coal, light a fire on the top. When the fire begins to burn, draught regulator is set on desired temperature / position.

2. Heating from below – put small amount of solid fuel over the fireplace pipes (“grid”) (no ash should be present) and set up a fire. The draught regulator is at the maximum position. When the fire begins to burn, add larger amount of fuel and set draught regulator on desired temperature / position.

Make sure that lower boiler doors are closed during boiler use.

In case of an uncontrolled increase of pressure and temperature of the water in the boiler, due to various reasons (such as power failure causing interruption of the circulation pump operation, circulation pump defect, uncontrolled entry of air into system) close all air supply to the boiler or eventually take the fire out if the safety conditions allow that (there are no inflammable materials in the area). In case of power failure put the draught regulator in the zero position and the flap on the boiler chimney take-up in the closed position.

It is obligatory to pay special attention that the pressure inside the installation is within range ($> 1,5$ bar for closed systems). If the pressure is below the critical value, stop the boiler operation and refill the system when the boiler is cold.

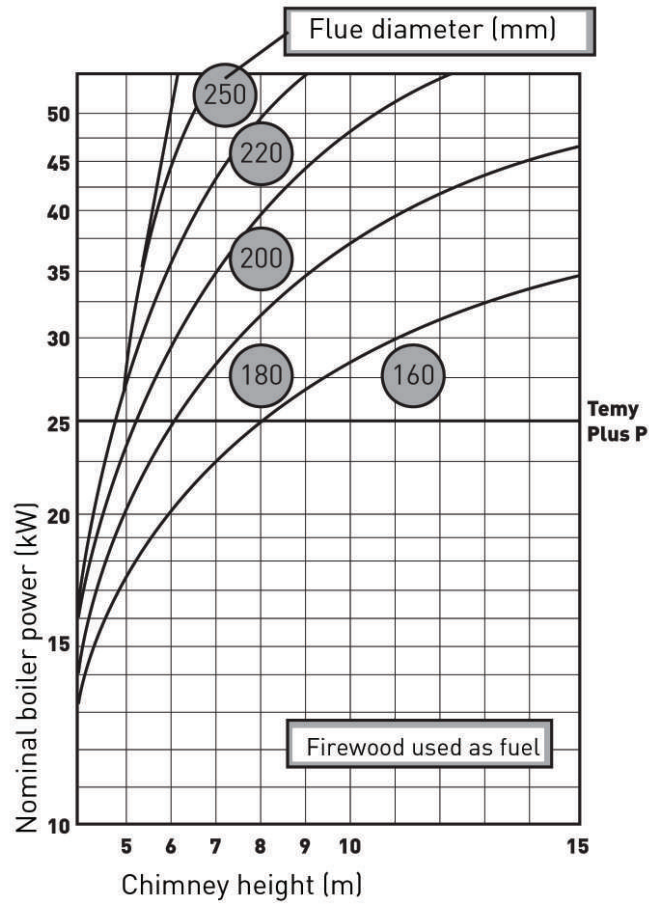
The water hardness may not exceed the recommended value. If you heat the boiler using coal, depending on the kind of coal and quality of combustion, boiler is to be cleaned at least every 30 days. Dirtier the boiler, the efficiency of the system is smaller.

It is not allowed to extinguish the fire in the boiler artificially, it is forbidden to sprinkle the water inside the heating chamber. After the heating season boiler should be cleaned from ash and soot and the chamber should be treated with some protection agent against corrosion.

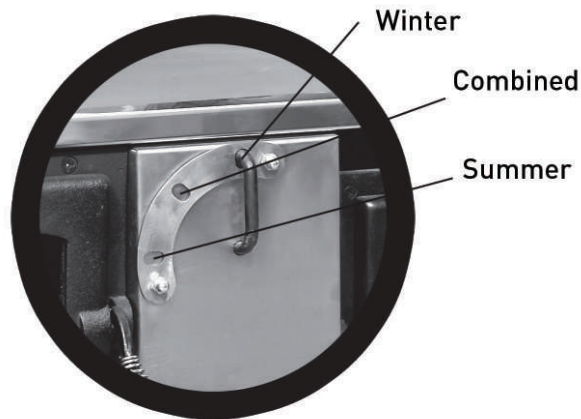
In case of any mechanical problem (the draught regulator is blocked, or the circulation pump is defect) stop the boiler operation first – only when the boiler is cold, repair action can be undertaken.

4 Chimney

The purpose of the chimney is to take out the products of combustion but also to secure necessary air draught in the boiler. The graph shows how to choose the necessary height for the chimney as a function of chimney opening. For instance, if we have a 160 mm diameter of the chimney, minimum chimney height would be 8 m. For 180 mm diameter chimney should be at least 6 meter high.



5 Modes of Operation

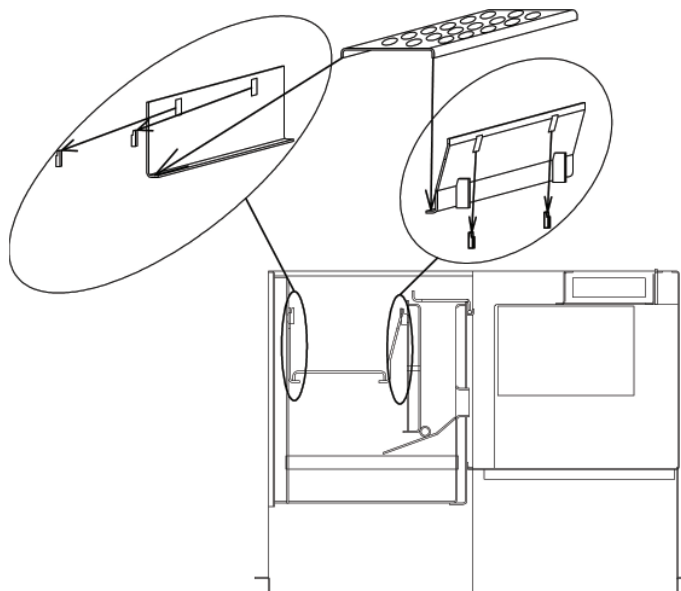


Depending on the chosen mode of operation TEMY PLUS P can perform in three ways.

1. Winter mode - Predominantly Heating Mode
2. Combined mode
3. Summer mode - Predominantly Baking Mode

In the (predominantly) heating mode, it is necessary to pull the flue flap (position 5) then to fire the wood inside the boiler. The draught regulator should be set within range 85-95 ° C. In the summer mode, the grid should be placed on the upper holders inside the chamber as shown on the image below. First the holders are placed and then the grid itself. Cooking is possible in every working mode of the stove-boiler.

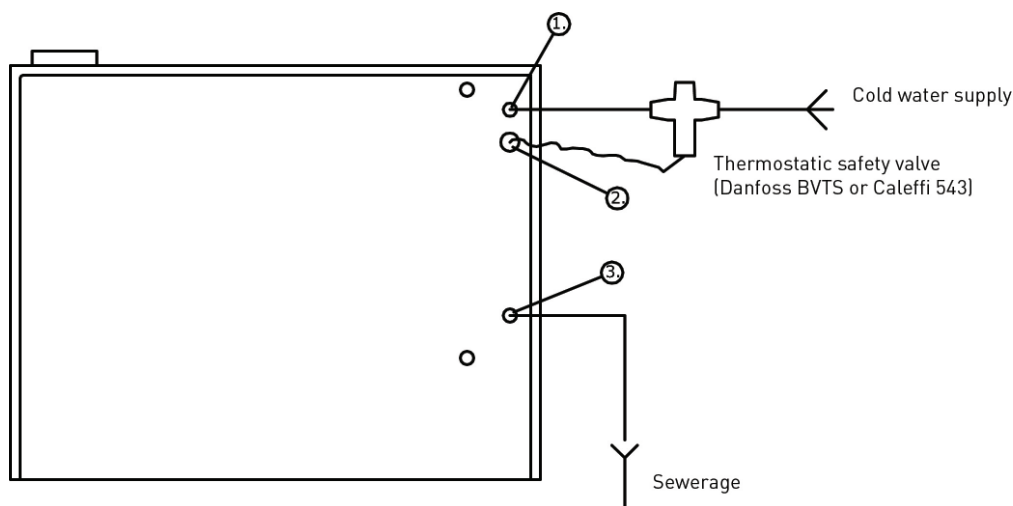
Before any operation it is necessary to clean the boiler and check the pressure of the entire system.



6 Overheat protection using the thermostatic valve (closed system)

TEMY PLUS P has an embedded heat exchanger inside the heating chamber (position 12) which has to be connected to the thermostatic overheat protection valve (such as Danfoss BVT5, Caleffi or Watts). If the water temperature rises, the valve will open and let cold water through the heat exchanger system; thus quickly and efficiently lowering the temperature.

The valve will operate safely regardless of the ambient temperature, and the self-acting technology means that the valve does not require electricity or other forms of energy in order to work.



Description of the parts: 1. Cold water entrance toward the heat exchanger 2. Sensor of the thermostatic valve 3. Exit for hot water from the heat exchanger

How to connect the valve:

- First connect the sensor (male thread 1/2") on the marked position on the boiler - female thread 1/2"
- Now connect the cold water supply to the valve - female thread 3/4", then connect the valve to the position 1 (cold water entrance), the boiler should have the prepared reduction 3/4"-1/2"
- Connect the hot water exit toward the sewerage.

7 Boiler cleaning and maintenance

It is recommended that the boiler is cleansed from ash once to two times weekly. A detailed cleansing of the boiler should be done once a month and also when the heating season ends. Regular maintenance extends the service life of the boiler.

A Declaration Of Conformity



Hereby we, Termomont d.o.o. with legal seat in Prhovacka bb, 22310 Šimanovci, Serbia, declare under our sole responsibility that the following product(s):

Heating stove-boiler for solid fuel (wood, coal) TEMY PLUS P 25

manufactured in the following period: 2010-2011
to which this declaration relates, is in conformity with the following standard(s), or other normative document(s):

- EN 12815:2001, EN 12815/A2:2004

following the provisions of the directive:

- 97/23 WE

certified by notified body: Technický Skusobný Ústav Piestany, Slovak republic
Test report: No.93000020

Šimanovci, 20. april 2010

Authorized person

.....